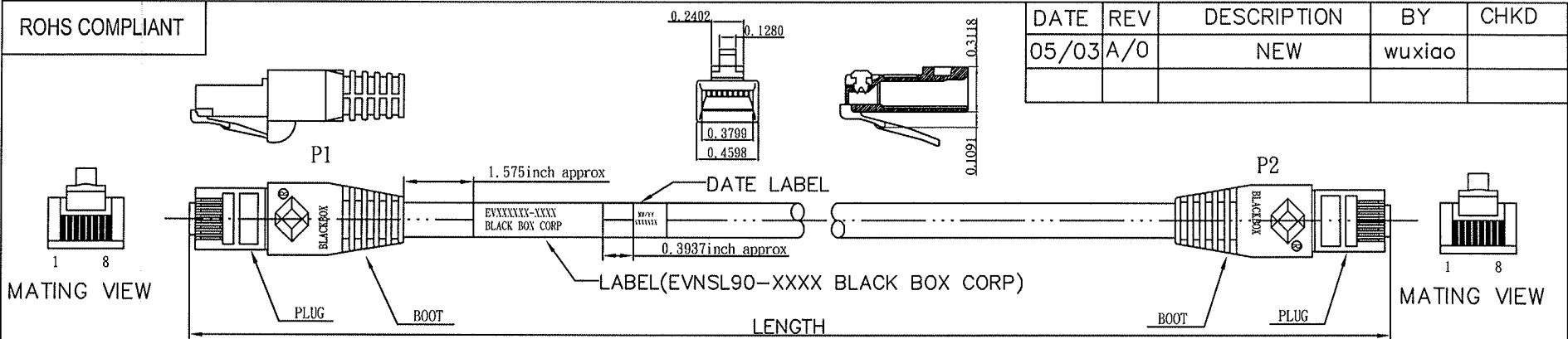
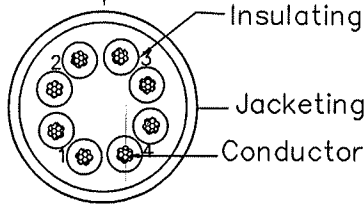


ROHS COMPLIANT

DATE	REV	DESCRIPTION	BY	CHKD
05/03	A/0	NEW	wuxiao	

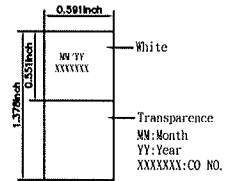


Marking: BLACK BOX CORPORATION GUARANTEED FOR LIFE(724)746-5500 -- GIGABASE CATEGORY 5E -- E196163-Y (UL)
 c(UL) CM 60°C 4PR 24AWG ETL VERIFIED TIA/EIA-568-B.2 CAT5E TESTED TO 350MHZ PATCH CABLE



orange 2 white/orange	green 3 white/green
blue 1 white/blue	brown 4 white/brown

Attenuation (Maximum): 22.5dB @100MHz ; 45.8dB @350MHz
 Cable Type: 4-pair UTP
 Conductor Gauge: 24AWG, stranded
 Frequency: Up to 350MHz
 Impedance: 100±15 ohms
 NEXT (Minimum): 35.3dB @100MHz ; 27.1dB @350MHz
 PS-NEXT (Minimum): 32.3dB @100MHz ; 24.1dB @350MHz
 Return Loss (Minimum): 19dB @100MHz ; 4.56dB @350MHz
 Standards: TIA/EIA-568-B.2 Category 5E



Conductor	Bare Copper 24AWG 7/0.0077inch approx
Insulation	Thickness: MIN at any point: 0.0059inch MAX AVG: 0.0098inch Diameter: 0.0362inch approx
Jacketing PVC	Thickness: MIN at any point: 0.0165inch MAX AVG: 0.0189inch Diameter: 0.2126inch approx

WIRE	CAT. 5E UTP Stranded 24AWG*4P
PLUG	Assembly+BOOT 8P8C 50U" (1.27µm) Gold 1 piece Plug
XXXX=Length	1FT 2FT 3FT 4FT 5FT 6FT 7FT 10FT 15FT 20FT 25FT 30FT 50FT 100FT

RJ45 Plugs Standard - IEC 60603-7

2.756inch

Another quality product from
BLACK BOX
 NETWORK SERVICES
 724-746-5500 www.blackbox.com
 GigaBase 350, CAT5e, Patch Cable
 350 MHz, Booted, White
 XX ft. X.X m
 24AWG, Stranded, 4-Pair, UTP
 EVNSL90-XXXX
 China

2.165inch

Unless specified on the drawing, tolerances are per the follows:

.X	± 1
.XX	± 0.2
.XXX	± 0.05



PINOUT			
PA/R	P1 (T568B)	WIRE	P2 (T568B)
1	1	WHT/ORG	1
	2	ORG	2
2	3	WHT/GRN	3
	6	GRN	6
3	4	BLU	4
	5	WHT/BLU	5
4	7	WHT/BRN	7
	8	BRN	8

BLACK BOX
 Category 5e Booted Gigabase White Patch Cable

DRAW.NO	CW-0319	ITEM	EVNSL90-XXXX	
DEPARTMENT		DRAW	wuxiao	DATE 2011/05/03
SCALE		CHECKER		APPROVAL
UNIT	INCH	SHEET	1 OF 1	