

4

3

2

1

D

D

C

C

B

B

A

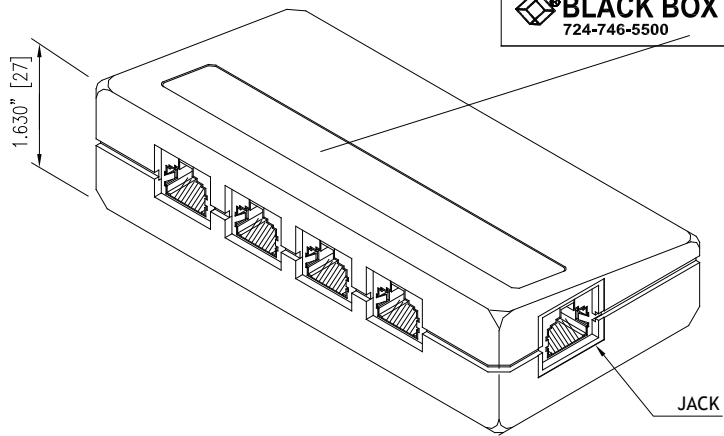
A

4

3

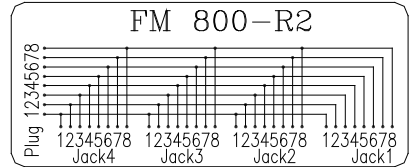
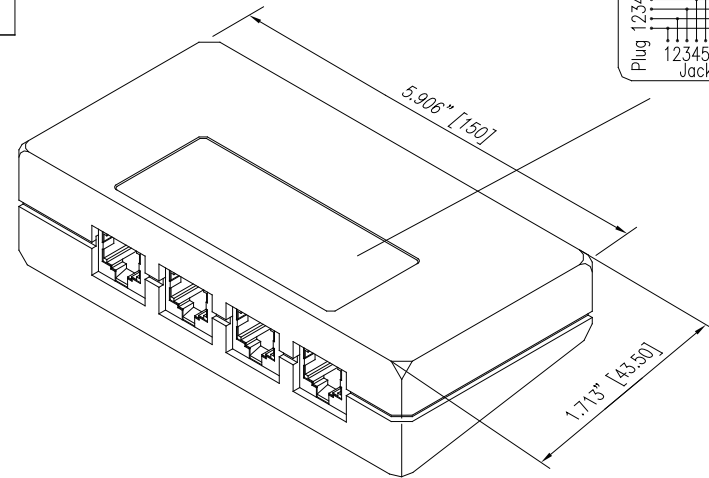
2

1



BLACK BOX
724-746-5500

RJ-45 Modular Splitter



MATERIAL
 Housing: High-impact Acrylonitrile Butadiene Styrene (ABS resin), UL 94 V-0 rated
 Jack Housing: High-impact Polybutylene terephthalate (PBT resin), UL 94 V-0 rated
 Jack Contacts: Phosphor bronze round wire, Ø=0.46 mm (0.018 in), plated with 0.76 µin (30 µm) minimum thick hard gold over nickel underplate
 PCB: FR4, UL 94 V-0 rated
 RoHS compliant

DRAWN BY Autumn Lee					Another quality product from BLACK BOX 724-746-5500 • www.blackbox.com				
APPROVED BY Jerry Su					TITLE RJ-45 Modular Splitter Unshielded				
DIMENSIONS ARE [IN (MM)]					PARTS NO. FM800-R2				
TOLERANCES:					DATE 2011/04/13				
~0.8"	~2"	~6"	6"~	ANGLE	SCALE X		SHEET 1/1		REV. 1
±0.007"	±0.015"	±0.02"	±0.06"	2°	DATE 2011/04/13		SCALE X		REV. 1
3rd Angle Projection				DATE 2011/04/13		SCALE X		SHEET 1/1	