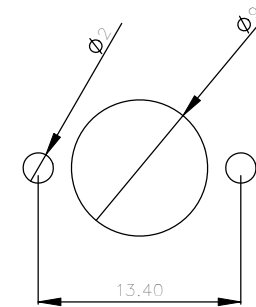
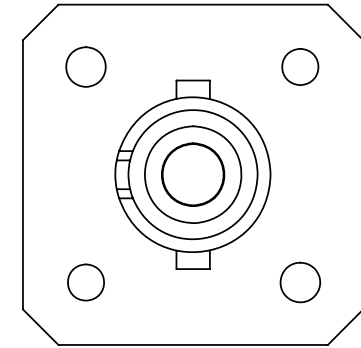
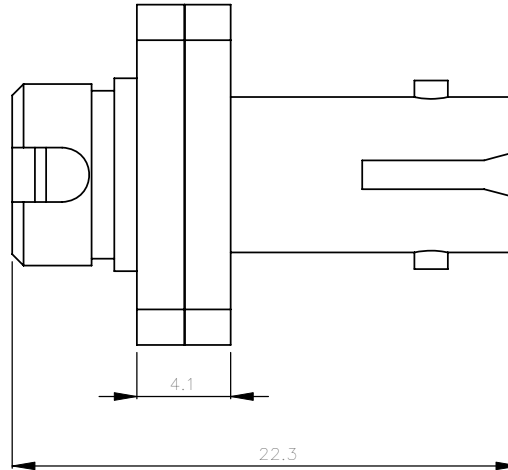
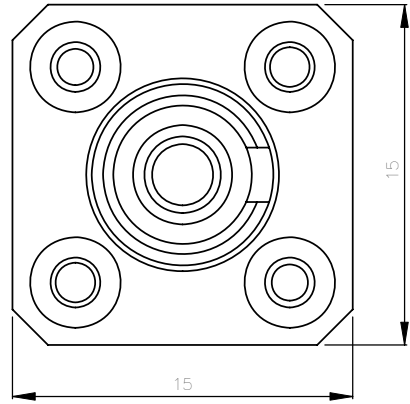


FILE NO.	FOT104
PART NO.	-

REVISIONS				
REV.	DESCRIPTION	DATE	ECO No.	APPV'D
A	RELEASE TO PRODUCT	2010/11/05		CHANG



RECOMMENDED MOUNTING HOLE

- NOTES:
- 1.INSERTION LOSS: 0.20dB/0.30dB (TYP./MAX.)
 - 2.RETENTION FORCE IS 200GF(1.96N)~600GF(5.88N).
 - 3.DURABILITY (500 MATINGS) 0.15dB MAX INCREASE.
 - 4.OPERATING TEMPERATURE $-40^{\circ} \sim +80^{\circ} \text{C}$.
 - 5.HUMIDITY 95% R.H.(NON-CONDENSING).
 - 6.ALL MATERIAL COMPLIANT WITH RoHS.
 - 7.BLACK BOX P/N :
S.M. PhBr : FOT104

MATERIAL		SIGNATURE	DATE	Another quality product from BLACK BOX <small>724-746-5100 • www.blackbox.com</small>
QUANTITY		LU	2010/11/05	
	DRAWN	LU	2010/11/05	DWG. NAME FC-ST SQUARE ADAPTER METAL
	PROJECT ENGINEER	LIU	2010/11/05	
	CHECKED	LIU	2010/11/05	SIZE DWG. NO. REV. C FOT104 A
	APPROVED	CHANG	2010/11/05	
	DRAWING MANAGER	CHUNG	2010/11/05	
SCALE : N/A				2010/11/05 SHEET 1 OF 1