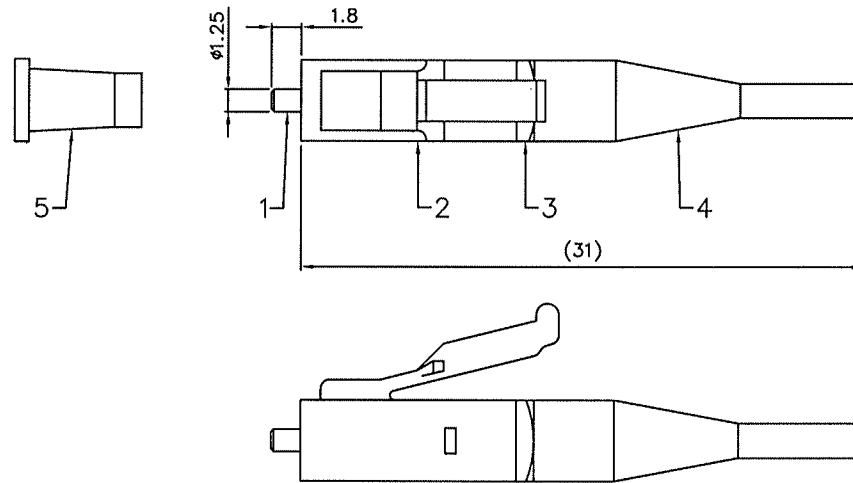


FILE NO.	FOT218,FOT221
PART NO.	-

REVISIONS			
REV.	DESCRIPTION	DATE	ECO No.
A	RELEASE TO PRODUCT	2010/11/05	CHANG



**NOTE:**

1. LC CONNECTOR COMPLY WITH IEC/PAS 61754-20  
LC TYPE FIBER OPTICAL CONNECTOR STANDARD.
2. FERRULE I.D. :125um.(S.M.) 127um.(M.M.)
3. OPTICAL CHARACTERISTICS:  
 INSERTION LOSS:  $\leq 0.3\text{dB}$ (S.M.)  $\leq 0.5\text{dB}$ (M.M.)  
 RETURN LOSS:  $\geq 45\text{dB}$  (PC POLISHING)  
 $\geq 50\text{dB}$  (SPC POLISHING)  
 $\geq 55\text{dB}$  (UPC POLISHING)  
 \* FOR S.M. ONLY
4. OPERATING TEMPERATURE:  $-20^{\circ}\text{C} \sim +70^{\circ}\text{C}$   
 STORAGE TEMPERATURE:  $-40^{\circ}\text{C} \sim +80^{\circ}\text{C}$   
 HUMIDITY (NON-CONDENSING) 95% R.H.
5. ALL MATERIAL COMPLIANT WITH RoHS.
6. BLACK BOX P/N:  
 S.M.: FOT218  
 M.M.: FOT221

5	DUST	1	PP	-----
4	BOOT	1	PP+TPR, 94V-0	-----
3	STOPPER	1	PEI, 94V-0	-----
2	HOUSING	1	PEI, 94V-0	-----
1	FERRULE	1	ZIRCONIA	-----
NO.	PART NAME	QTY	MATERIAL	PROCESSING
MATERIAL		SIGNATURE	DATE	<small>Another quality product from:</small> <b>BLACK BOX</b> <small>2221 WILSON DRIVE, FORT WORTH, TEXAS 76107</small> <small>734-746-5550 • www.blackbox.com</small>
QUANTITY		LU	2010/11/05	
	PROJECT ENGINEER	LU	2010/11/05	DWG. NAME SIMPLEX LC CONNECTOR $\phi 0.9\text{mm}$ (S.M. & M.M. ONE PIECE TYPE)
	CHECKED	LIU	2010/11/05	
	APPROVED	CHANG	2010/11/05	SIZE C DWG. NO. FOT218,FOT221 REV. A
	DRAWING MANAGER	CHUNG	2010/11/05	SCALE: N:A DATE: 2010/11/05 SHEET 1 OF 1