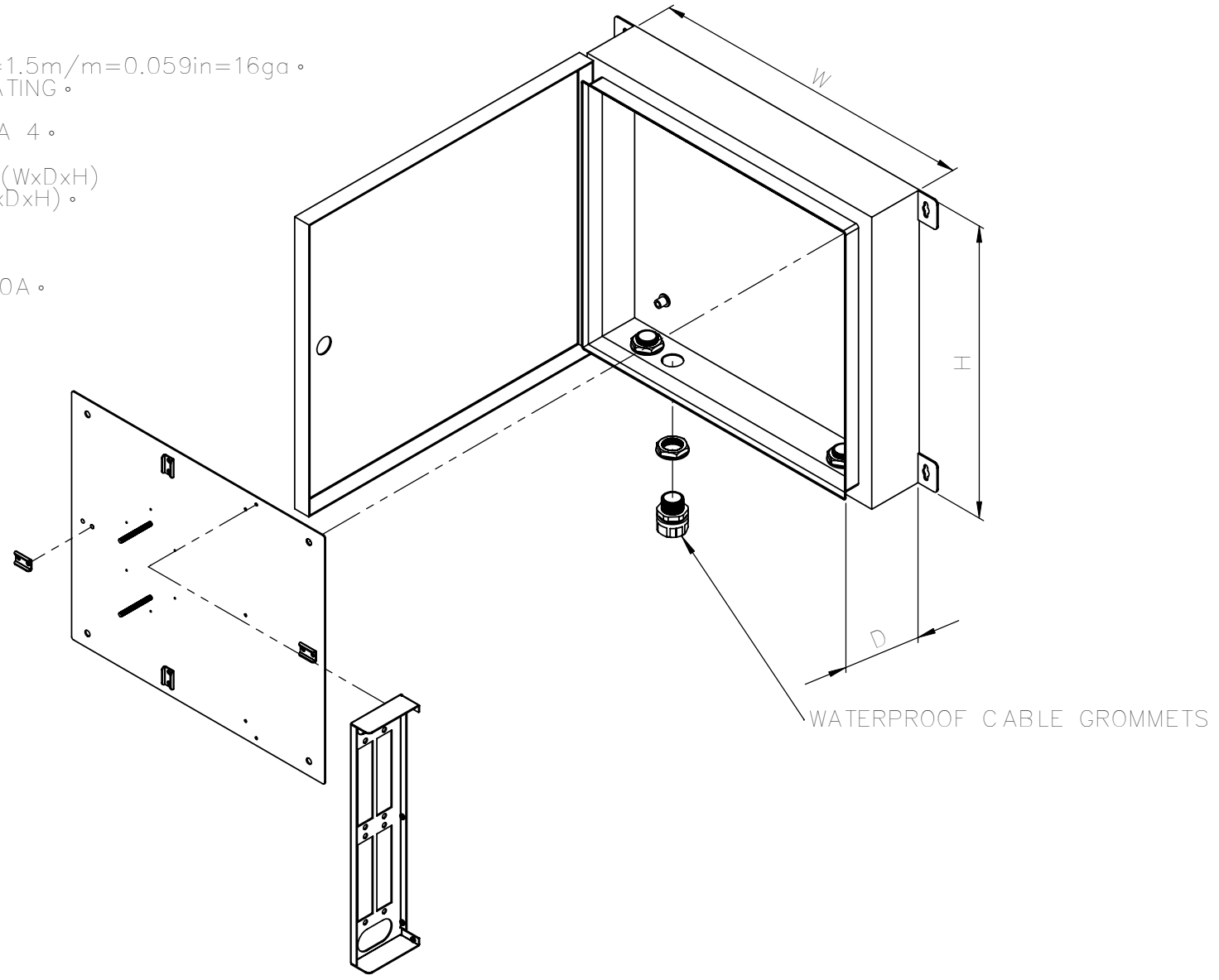


FILE NO.	JPM4000A
PART NO.	-

REVISIONS				
REV.	DESCRIPTION	DATE	ECO No.	APP'VD
A	RELEASE TO PRODUCT	2010/11/04		CHANG

NOTE :

- 1.MATERIAL : SPCC , t=1.5mm/m=0.059in=16ga .
- 2.FINISH : POWDER COATING .
- 3.COLOR : BLACK .
- 4.LISTING : IP-55 , NEMA 4 .
- 5.SIZE :  
450x100x400 mm(WxDxH)  
18.7x3.9x17.7 in(WxDxH) .
- 6.WEIGHT :  
10 kg  
22 lb.
- 7.B.BOX P/N : JPM4000A .



MATERIAL		SIGNATURE	DATE	Another quality product from <b>BLACK BOX</b> 724-746-5100 • www.blackbox.com	
QUANTITY		DRAWN	LU	2010/11/04	
		PROJECT ENGINEER	LU	2010/11/04	DWG. NAME
		CHECKED	LIU	2010/11/04	24C WALL MOUNT IP-55 D.BOX-ASSEMBLY
		APPROVED	CHANG	2010/11/04	SIZE DWG. NO.
		DRAWING MANAGER	CHUNG	2010/11/04	C JPM4000A REV. A
				SCALE : N/A	2010/11/04 SHEET 1 OF 1