



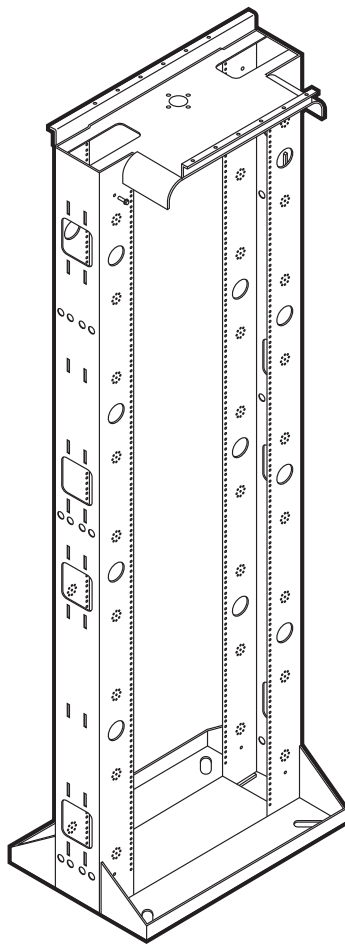
© Copyright 2009. Black Box Corporation. All rights reserved.

---

1000 Park Drive • Lawrence, PA 15055-1018 • 724-746-5500 • Fax 724-746-0746



## Zone 4 2-Post Seismic Rack



---

**CUSTOMER  
SUPPORT  
INFORMATION**

Order toll-free in the U.S.: Call **877-877-BBOX** (outside U.S. call **724-746-5500**)  
FREE technical support 24 hours a day, 7 days a week: Call **724-746-5500** or fax **724-746-0746**  
Mailing address: **Black Box Corporation**, 1000 Park Drive, Lawrence, PA 15055-1018  
Web site: [www.blackbox.com](http://www.blackbox.com) • E-mail: [info@blackbox.com](mailto:info@blackbox.com)

**TRADEMARKS USED IN THIS MANUAL**

Black Box and the Double Diamond logo are registered trademarks of BB Technologies, Inc.

*Any other trademarks mentioned in this manual are acknowledged to be the property of the trademark owners.*

# 1. Specifications

**Construction:** 10-gauge steel, fully welded

**Finish:** RAL 9005 black, low-gloss, polyester powder paint

**Load Rating:** Dynamic: 500 lb. (227 kg);

Static: 2500 lb. (1134 kg)

**Standards:** UL<sup>®</sup> listed, cUL, EIA 310-D

**Size:** 86.16"H (45 U) x 26.75"W x 18"D (218.8 cm x 68 x 45.7 cm)

**Shipping Weight:** 200 lb. (90.7 kg)

**ZONE 4 2-POST SEISMIC RACK**

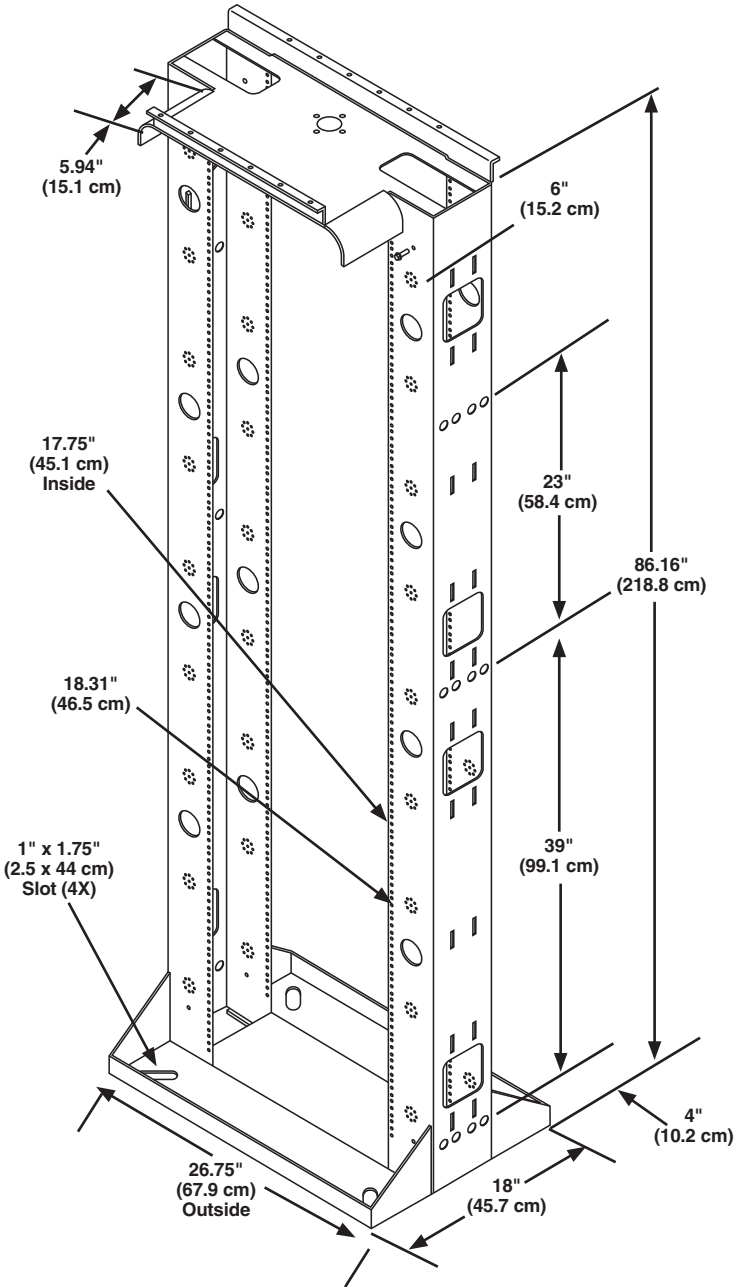


Figure 1. The 2-Post Seismic Rack dimensions.

## 2. Overview

The Zone 4 2-Post Seismic Rack is constructed of 10-gauge steel. It has an RAL 9005 black, low-gloss, polyester powder paint finish.

### What's Included

- Rack
- (4) seismic bolt-down plates
- (2) M6 bolts
- (2) steel washers
- (4) M6 nuts

### What You Need to Supply

- Ground wire
- Anchor bolts

### Features

- Nominal height is 86.16" (218.8 cm) (45U of available rack space).
- Fits 19" rackmount equipment.
- Side rails are tapped on both sides with 12-24 UNC threads for quick installation.
- EIA universal  $\frac{3}{8}$ " -  $\frac{5}{8}$ " -  $\frac{1}{2}$ " vertical mounting hole pattern matches industry standards and connects to most manufacturers' rackmount equipment.
- Integral front waterfall top.
- Predrilled holes on top to ease runway installation.
- Top and bottom cable entry cutouts.
- Ground provision with ground symbol.
- Additional matching components for equipment and cable management are available. Call Technical Support at 724-746-5500 for details.

### 3. Installation

1. Using the included seismic bolt-down plates and anchor bolts (not included), secure the rack to the floor.
2. If grounding the rack, use the included bolts, steel washers, and nuts to attach the ground wire(s) (not included).

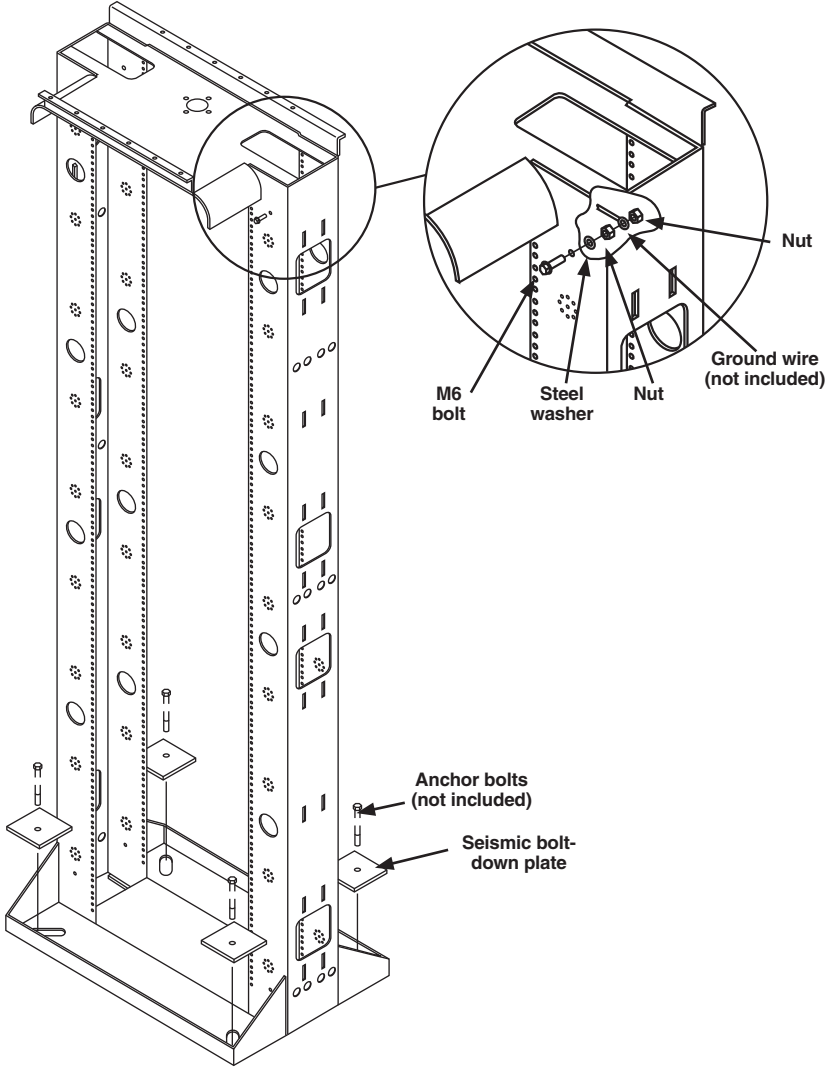


Figure 2. Installing the rack.