

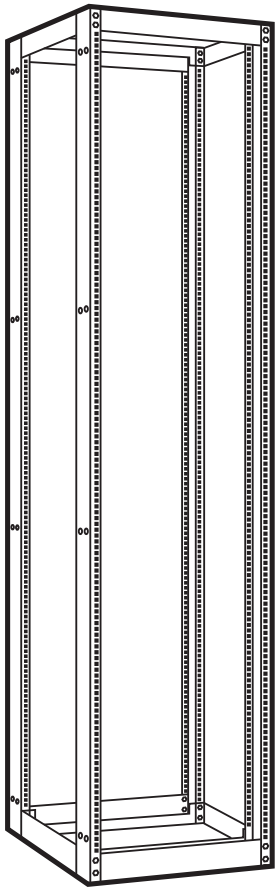


© Copyright 2008. Black Box Corporation. All rights reserved.

1000 Park Drive • Lawrence, PA 15055-1018 • 724-746-5500 • Fax 724-746-0746



4-Post Steel Open Rack



CUSTOMER
SUPPORT
INFORMATION

Order toll-free in the U.S.: Call **877-877-BBOX** (outside U.S. call **724-746-5500**)
FREE technical support 24 hours a day, 7 days a week: Call **724-746-5500** or fax **724-746-0746**
Mailing address: **Black Box Corporation**, 1000 Park Drive, Lawrence, PA 15055-1018
Web site: www.blackbox.com • E-mail: info@blackbox.com

TRADEMARKS USED IN THIS MANUAL

BLACK BOX and the Double Diamond logo are registered trademarks of BB Technologies, Inc.

Any other trademarks mentioned in this manual are acknowledged to be the property of the trademark owners.

1. Specifications

Exterior Height: RM7000A: 80.5" (204.5 cm);

RM7001A: 45.5" (115.6 cm);

RM7003A: 33.25" (84.5 cm);

RM7004A: 96" (243.8 cm);

RM7005A: 108" (274.3 cm)

Exterior Width: 20.6" (52.3 cm)

Exterior Depth: 29" (73.7 cm)

Rack Units: RM7000A: 42U;

RM7001A: 22U;

RM7003A: 15U;

RM7004A: 51U;

RM7005A: 58U

Interior Width: 19" (48.3 cm)

Weight: RM7000A: 80 lb. (36.4 kg);

RM7001A: 65 lb. (29.5 kg);

RM7003A: 60 lb. (27.3 kg);

RM7004A: 94 lb. (42.7 kg);

RM7005A: 101 lb. (45.9 kg)

2. Overview

2.1 Description

The 4-Post Steel Open Rack combines the stability of a cabinet with the airflow of an open rack. It's made of 12-gauge steel and supports up to 2200 pounds (1000 kg) of equipment. The rack conforms to EIA standards for 19" equipment mounting and has universal M6 holes. Mounting hardware is included.

Choose from five rack models. They are 19" wide and are available in the five heights listed below:

- RM7003A (15U)
- RM7001A (22U)
- RM7000A (42U)
- RM7004A (51U)
- RM7005A (58U)

2.2 What's Included

- (2) 15U, 22U, 42U, 51U, or 58U cage nut uprights, right hand
- (2) 15U, 22U, 42U, 51U, or 58U cage nut uprights, left hand
- (4) 29"D horizontal depth brackets
- (4) Top/bottom horizontal width brackets
- (16) $\frac{3}{8}$ -16 x $\frac{3}{4}$ " long flat head screws, hex drive
- (16) $\frac{1}{2}$ "-13 x 1" hex head bolts, black oxide, wax coat, RoHS compliant
- (16) $\frac{1}{2}$ " split lockwashers, black oxide, wax coat, RoHS compliant
- (16) $\frac{1}{2}$ "-13 finished hex nuts, black oxide, wax coat, RoHS compliant
- (50) M6 metric threaded universal mounting cage nuts
- (50) M6 x 12 mm long metric threaded Phillips head screws, black

2.3 Optional Accessories

- Baying Kit (RM7002)
- RM7000A Series Caster Set (RM7006)
- RM7000A Series Flat Top (RM7007)

3. Assembly Instructions

Tools You Will Need

- $\frac{3}{8}$ " socket
- $\frac{3}{4}$ " wrench
- $\frac{1}{32}$ hex key wrench

Step 1: Assembling the Bottom Corners of the Rack

A. Lay the left-hand and right-hand uprights on end, facing each other.

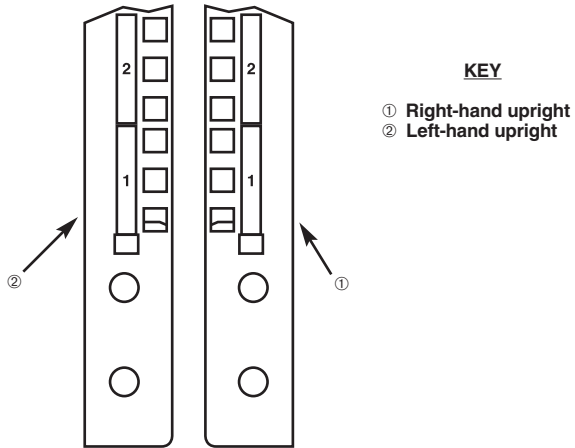


Figure 3-1. Uprights.

4-POST STEEL OPEN RACK

- B. Align the through holes in one top/bottom horizontal width bracket (④ in Figure 3-2) with the through holes in one left upright (② in Figure 3-2). Install (2) $\frac{5}{8}$ "-16 x $\frac{3}{4}$ " long flat head screws (see ⑤ in Figure 3-2) through the holes on the upright and the threaded holes on the horizontal width bracket (④).

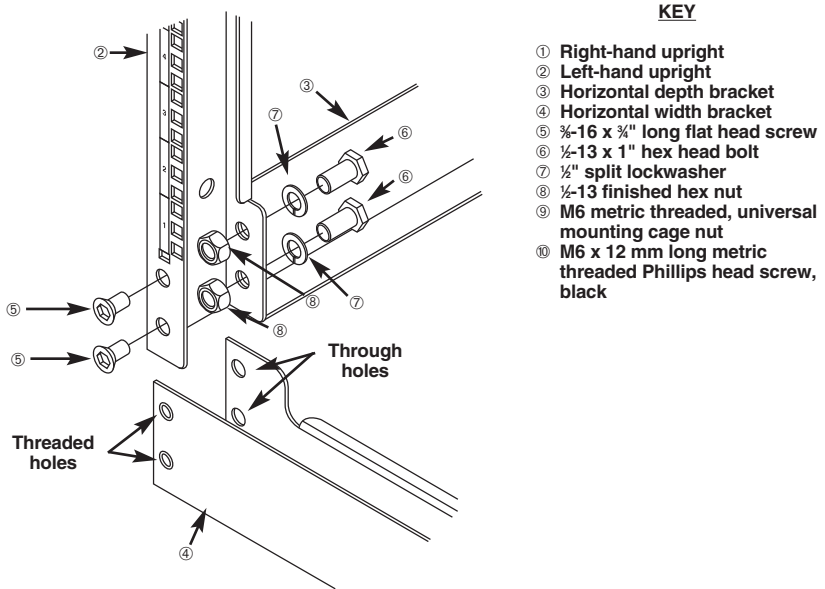


Figure 3-2. Assembling the rack corners.

- C. Align the through holes in one top/bottom horizontal depth bracket (③ in Figures 3-2 and 3-3) with the through holes on the opposite side of the upright in Step 2B (② in Figure 3-1). Install (2) $\frac{1}{2}$ "-13 x 1" hex head bolts, lockwashers, and (2) $\frac{1}{2}$ "-13 finished hex head nuts (see ⑥, ⑦, and ⑧ in Figure 3-1).
- D. Align the through holes on the other side of the horizontal width bracket in Step 2B (④ in Figure 3-3) with the through holes in one right upright (① in Figure 3-3).
- E. Repeat steps A–D for the remaining left- and right-hand uprights (① and ② in Figure 3-3), horizontal width bracket (④ in Figure 3-3), and horizontal depth bracket (③ in Figure 3-3).

Step 2: Assembling the Top Corners of the Rack

- A. Stand the bottom corner assembly from Step 1 with the horizontal width and depth brackets' bottom edges flat on the floor. See Figure 3-3.
- B. Repeat Steps 1B through 1E for the remaining two top/bottom horizontal width brackets and the two top/bottom horizontal depth brackets. See Figures 3-2 and 3-3.

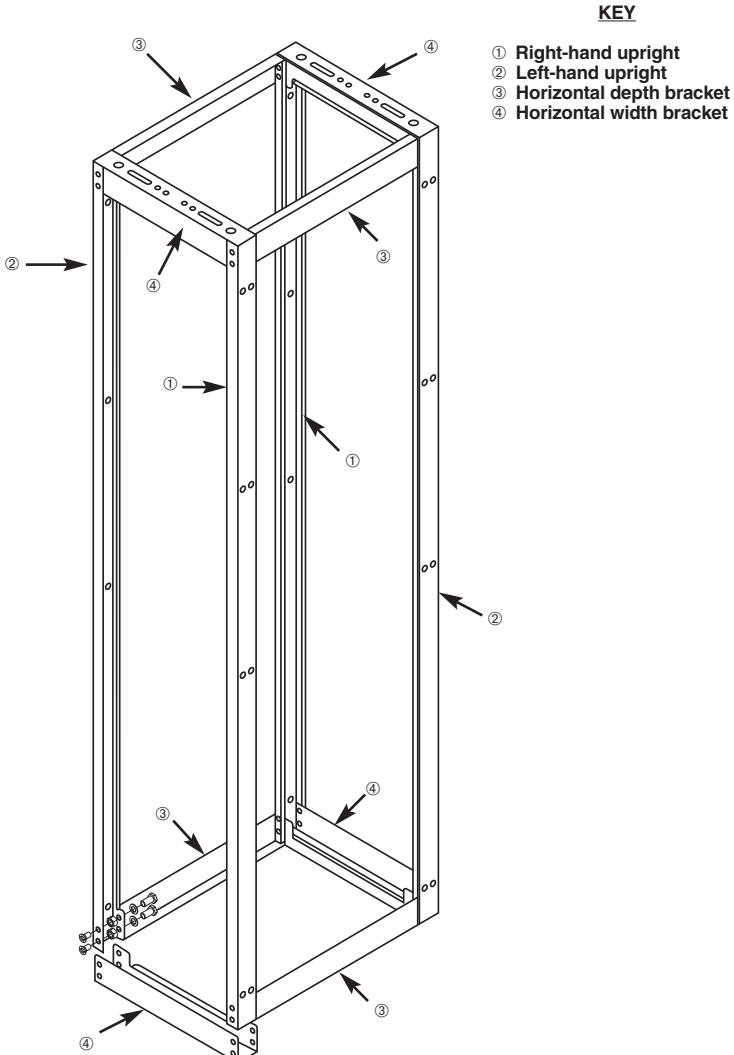


Figure 3-3. Completing the rack assembly.

4-POST STEEL OPEN RACK

Step 3: Final Tightening

Square the unit using a level or carpenter square. Tighten all bolts using a $\frac{3}{4}$ " socket and/or wrench.

Step 4: Secure the Rack to the Floor

CAUTION

Before installing equipment in the rack, bolt it to the floor, or to an equally stabilizing and secure surface before installing any equipment.

Step 5: Installing the Optional Accessories

INSTALLING THE FLAT TOP

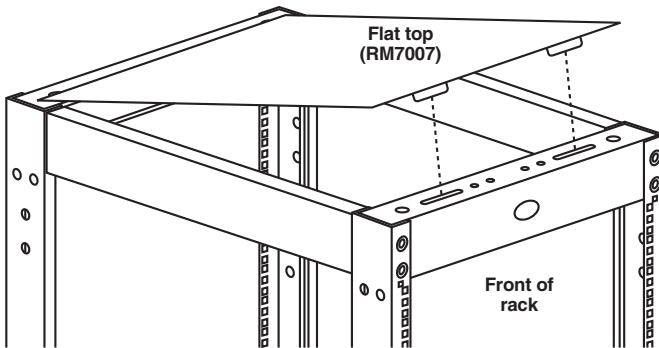


Figure 3-4. Installing the flat top.

INSTALLING THE CASTERS

If you don't want to secure the rack to the floor, you can use optional casters (RM7006) that install on the bottom of the rack.