



© Copyright 2000. Black Box Corporation. All rights reserved.

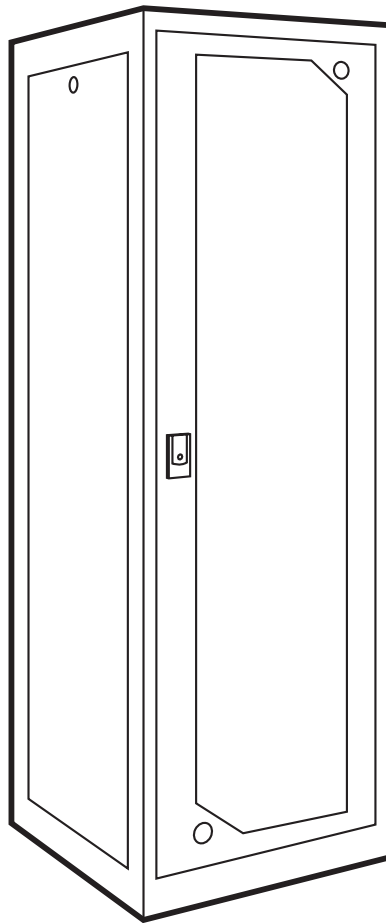
1000 Park Drive • Lawrence, PA 15055-1018 • 724-746-5500 • Fax 724-746-0746



DECEMBER 2000

| | | |
|-----------|-----------|-----------|
| RM820A | RM835A-3F | RM850A-6F |
| RM820A-3F | RM835A-6F | RM855A |
| RM820A-6F | RM840A | RM855A-3F |
| RM825A | RM840A-3F | RM855A-6F |
| RM825A-3F | RM840A-6F | RM821 |
| RM825A-6F | RM845A | RM822 |
| RM830A | RM845A-3F | RM823 |
| RM830A-3F | RM845A-6F | RM826 |
| RM830A-6F | RM850A | RM827 |
| RM835A | RM850A-3F | RM828 |

Elite Server-Mount Cabinet



**CUSTOMER
SUPPORT
INFORMATION**

Order **toll-free** in the U.S. 24 hours, 7 A.M. Monday to midnight Friday: **877-877-BBOX**
 FREE technical support, 24 hours a day, 7 days a week: Call **724-746-5500** or fax **724-746-0746**
 Mail order: **Black Box Corporation**, 1000 Park Drive, Lawrence, PA 15055-1018
 Web site: www.blackbox.com • E-mail: info@blackbox.com

TRADEMARKS USED IN THIS MANUAL

Compaq is a registered trademark of Compaq Computer Corporation.

Dell is a registered trademark of Dell Corporation.

HP is a registered trademark of Hewlett-Packard.

IBM is a registered trademark of International Business Machines Corporation.

Any other trademarks mentioned in this manual are acknowledged to be the property of the trademark owners.

Contents

| Chapter | Page |
|---|------|
| 1. Specifications | 3 |
| 2. Introduction | 4 |
| 2.1 Features | 4 |
| 2.2 After Receiving Your Cabinet | 4 |
| 3. Installation | 6 |
| 3.1 Top Panel | 7 |
| 3.2 Anti-Tip Feet | 8 |
| 3.3 Leveling the Cabinet | 9 |
| 3.4 Operating the Door Latch | 10 |
| 3.5 Removing or Changing the Doors | 11 |
| 3.5.1 Removing a Door | 11 |
| 3.5.2 Installing a Door | 12 |
| 3.5.3 Reversing the Door Swing | 12 |
| 3.6 Side Panels | 14 |
| 3.6.1 Removing a Side Panel | 14 |
| 3.6.2 Installing a Side Panel | 14 |
| 3.7 Adjusting the Mounting Rails | 15 |
| 3.7.1 Adjusting Rails Front to Back | 16 |
| 3.7.2 Cable Access | 16 |
| 3.8 Power Strip | 17 |

1. Specifications

Frame—16 AWG steel

Side/Doors—16 AWG steel

Rack Spaces—44U

Mounting Rails—12 AWG steel

Power Strip—NEMA 5-15P, 15 amps, 120 volts, resettable overload circuit breaker, ON/OFF switch

Size—*Interior Height: 77" (195.6 cm); Interior Width: 22.5" (57.2 cm); Interior Depth: 34.5" (87.6 cm)*

Weight—350 lb. (159 kg)

2. Introduction

2.1 Features

- Fully assembled.
- Extra-deep construction accommodates large servers.
- Removable side walls provide easy access for loading and unloading equipment.
- Self-contained leveling feet can be lowered to raise the casters off the floor for extra stability.
- Casters and leveling glides included.
- Servers slide in and out on rails for easy access. (Rails supplied by server manufacturer.)
- Anti-tip stabilizers provided for additional stability when servers are pulled on slides.
- Mounting rails come with M6 square or 10-32 holes.
- Vented top panel and mesh rear doors ensure proper airflow required for servers.
- Locks on front and rear doors secure your server.

2.2 After Receiving Your Cabinet

Great care has been taken in packaging your cabinet to ensure that it arrives safely. If upon receipt any damage is noted, the carrier should be notified immediately to file a damaged freight claim.

Please make sure that you received the cabinet you ordered. Listed below are all of the Elite Series Data Cabinets offered.

| | Black | Light Gray |
|--|--------------|-------------------|
| Elite ServerMount Cabinet, M6 rails, Mesh front door | RM820A | RM825A |
| Elite ServerMount Cabinet, M6 rails, Mesh front door, 3 fans | RM820A-3F | RM825A-3F |
| Elite ServerMount Cabinet, M6 rails, Mesh front door, 6 fans | RM820A-6F | RM825A-6F |
| Elite ServerMount Cabinet, M6 rails, Plexiglas front door | RM830A | RM835A |
| Elite ServerMount Cabinet, M6 rails, Plexiglas front door, 3 fans | RM830A-3F | RM835A-3F |
| Elite ServerMount Cabinet, M6 rails, Plexiglas front door, 6 fans | RM830A-6F | RM835A-6F |
| Elite ServerMount Cabinet, 10-32 rails, Mesh front door | RM840A | RM845A |
| Elite ServerMount Cabinet, 10-32 rails, Mesh front door, 3 fans | RM840A-3F | RM845A-3F |
| Elite ServerMount Cabinet, 10-32 rails, Mesh front door, 6 fans | RM840A-6F | RM845A-6F |
| Elite ServerMount Cabinet, 10-32 rails, Plexiglas front door | RM850A | RM855A |
| Elite ServerMount Cabinet, 10-32 rails, Plexiglas front door, 3 fans | RM850A-3F | RM855A-3F |
| Elite ServerMount Cabinet, 10-32 rails, Plexiglas front door, 6 fans | RM850A-6F | RM855A-6F |
| Elite Server 3 Fan Top Panel | RM821 | RM826 |
| Elite Server 6 Fan Top Panel | RM822 | RM827 |
| Elite Server Solid Top Panel | RM823 | RM828 |

NOTE

When ordering an Elite Server-Mount Cabinet, add -3F to the end of the product code for a top panel with three built-in exhaust fans, or -6F for a top panel with six built-in exhaust fans. (Louvered top is standard.)

The cabinet is shipped with both front and rear doors unlocked and both side panels locked. You will find an accessory kit strapped to the inside-front mounting rail. This kit contains two side-panel keys and two door keys.

3. Installation

The Elite Server-Mount Cabinet holds servers from Compaq®, Dell®, IBM®, HP®, and most other manufacturers. Follow these steps to install your server in the rack.

1. Select one of the three sets of mounting rails to fit your server. Choose from three adjustable front rail sets.
2. Using the rackmounting hardware that you received from your server manufacturer, rackmount your server. Follow the installation instructions that came with your server.
3. Close the front and rear doors.
4. Secure the cabinet by locking the doors. Simply twist the handle latches to lock.

3.1 Top Panel

1. Remove the installed top panel by removing the four 10-32 x 1" Phillips head screws and washers.
2. Remove the top panel.
3. Set the new top panel in place. If you're installing a fan top panel, place the fan cord towards the rear of the cabinet.
4. Install four 10-32 x 1" screws and four #10 nylon washers (see Figure 1).
5. Tighten so that the top panel is flush with the cabinet frame. Do not over-tighten.

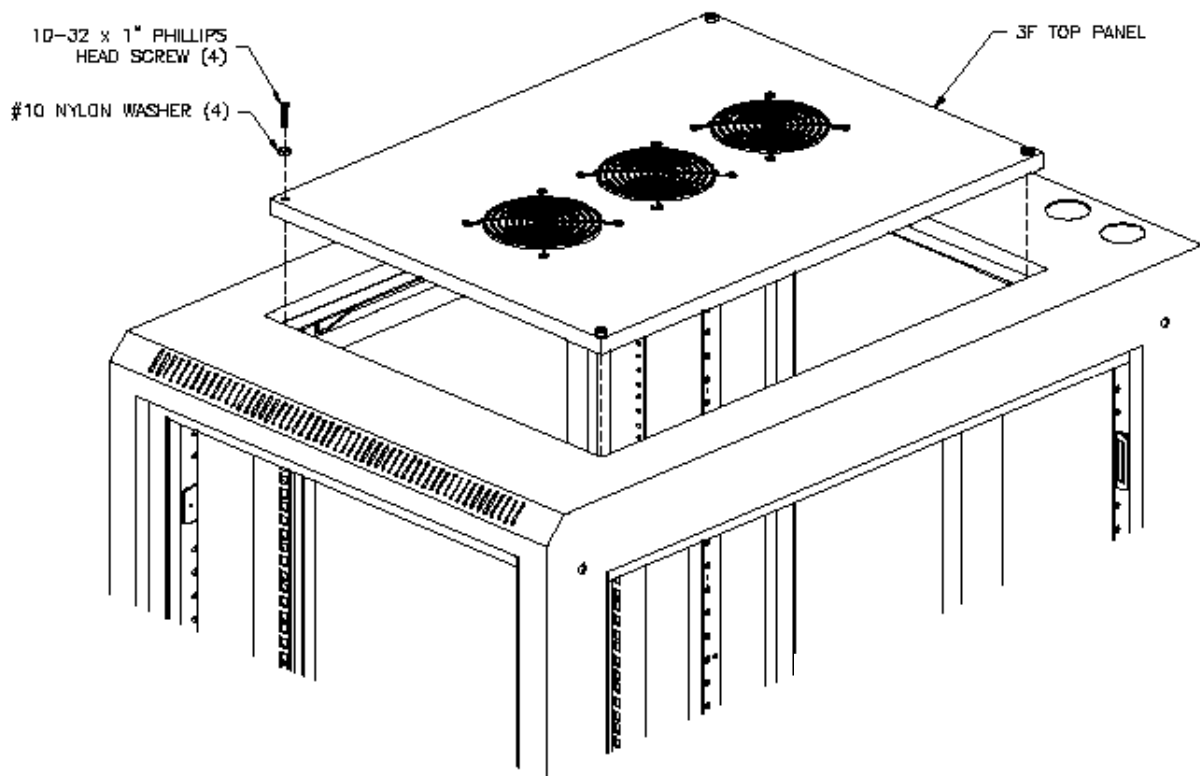


Figure 1. Top panel.

3.2 Anti-Tip Feet

1. Two anti-tip feet will be included in your hardware packet, including the hardware necessary to mount them.
2. To mount the anti-tip feet, install the $\frac{3}{8}$ -16 x $\frac{7}{8}$ " hex-head bolt using the $\frac{3}{8}$ -16 flat washer and the $\frac{3}{8}$ -16 lock washer (see Figure 2).
3. Before tightening, you may adjust the anti-tip feet as needed to accommodate the casters and leveling glides.
4. Tighten the bolts when they are at the desired height.

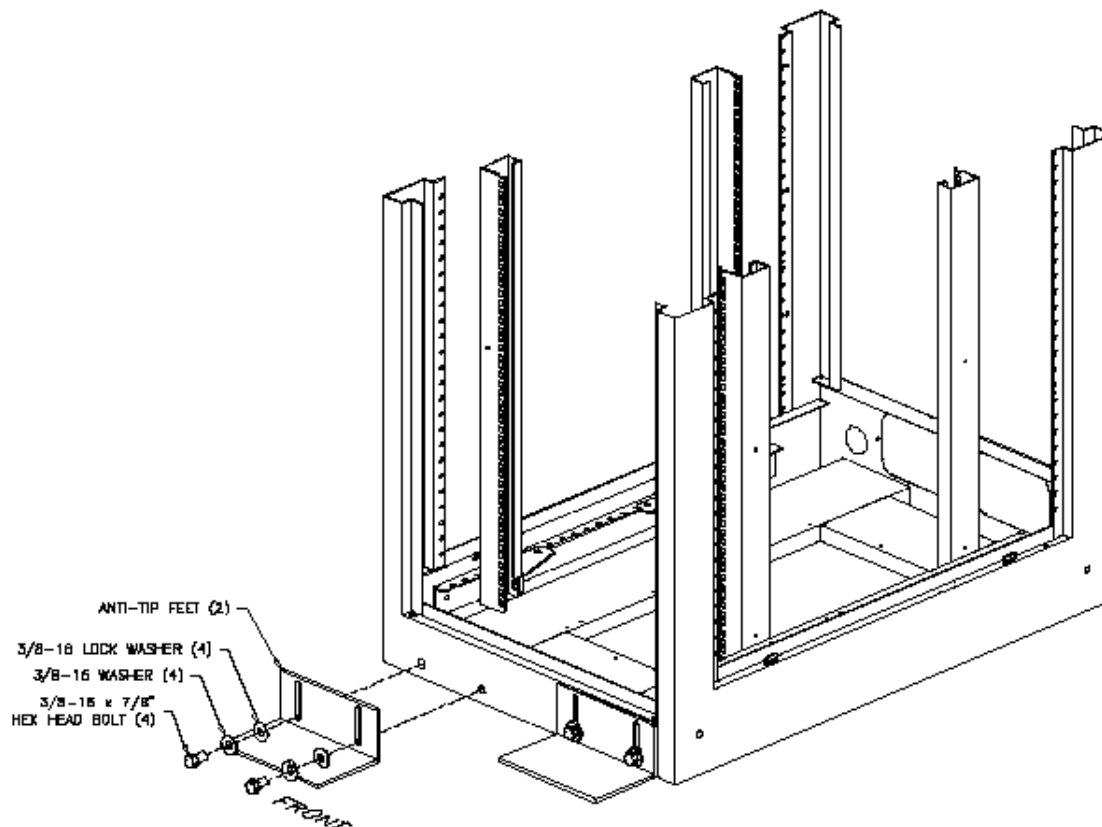


Figure 2. Anti-tip feet.

3.3 Leveling the Cabinet

Elite Server-Mount Cabinets are shipped with both casters and leveling legs for your convenience. Two casters are provided with brakes that can be actuated by turning the brake lever located on the side of the front caster wheels (see Figure 3). The leveling legs can be lowered by loosening the Jam Nut (see Figure 4) under the cabinet (using a $\frac{3}{4}$ " open-end wrench) and turning the Adjusting Nut (using a $\frac{5}{16}$ " open-end wrench) to the desired leg height. After the leg is adjusted to the proper height, retighten the Jam Nut (see Figure 4).

CAUTION

After wheeling the cabinet into place, leveling legs must be lowered for maximum cabinet stability. This is extremely important before loading sliding shelves to minimize the potential of accidental cabinet tipping.

Some applications where cabinets are top heavy or heavy loads are extended on sliding shelves may require bolting the cabinet directly to the floor or using other supports to prevent tipping.

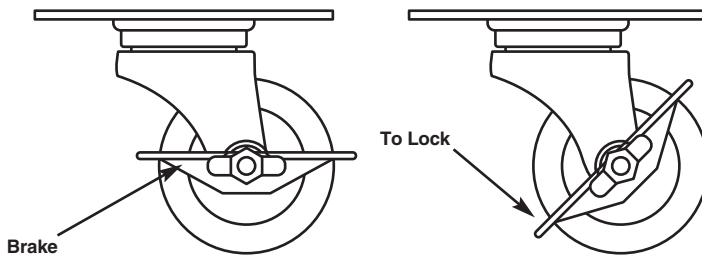


Figure 3. The brake in the off (left) and on (right) positions.

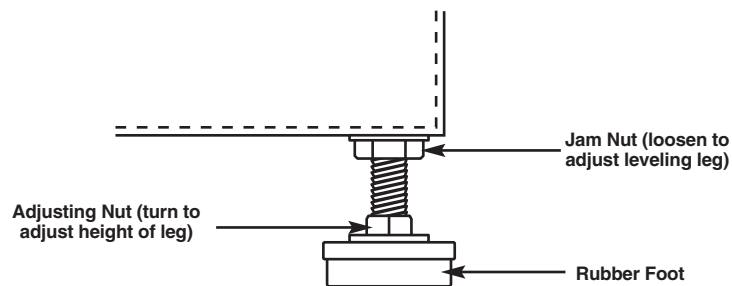


Figure 4. The Jam Nut and Adjusting Nut.

3.4 Operating the Door Latch

The front and rear doors incorporate a unique flush-locking handle. To open the latch, use your thumb to press the bottom portion of the handle where indicated (Figure 5). Catch the top of the lever with your index finger; pull outward to unlatch and open the door. To close and latch the door, simply push the door shut. *It will be latched whether the latch is locked or unlocked.* The handle features an indicator above the keyhole that displays a red dot when the latch is locked (Figure 6).

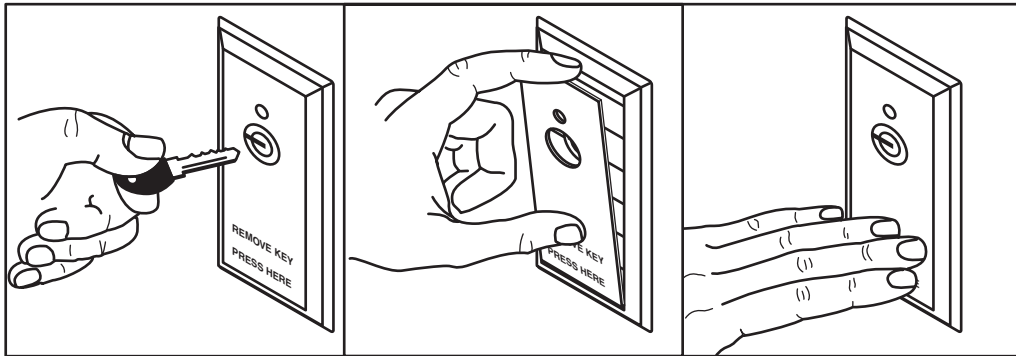


Figure 5. Opening the latch.

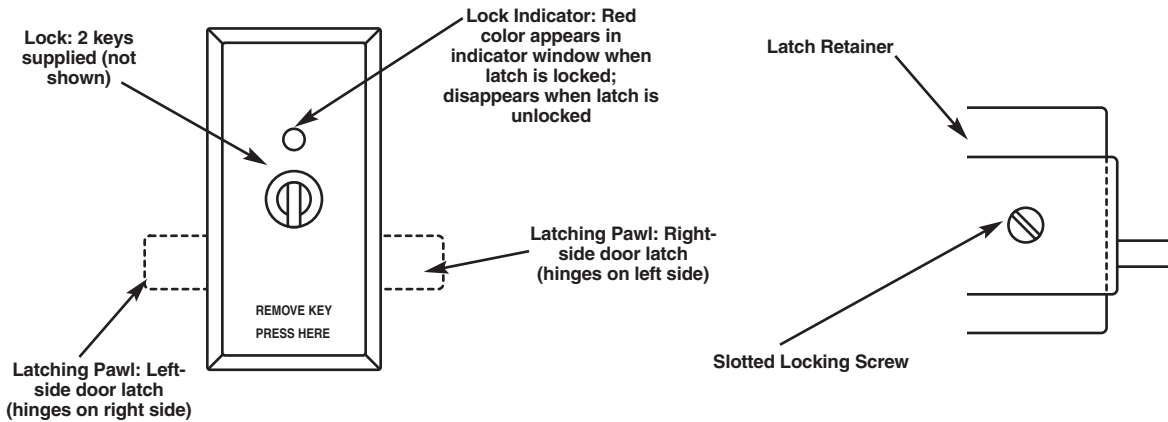


Figure 6. Front (left) and rear (right) views of the latch.

3.5 Removing or Changing the Doors

Both the front and rear doors are removable and reversible. (We recommend that two people support the weight of the door when removing it from the cabinet.)

3.5.1 REMOVING A DOOR

To remove a door, it's only necessary to disengage the top hinge. The spring-loaded door hinges are supplied with safety brackets bolted in place to prevent accidental disengagement of the door.

Open the door and remove the top hinge safety bracket using a $\frac{3}{8}$ " hex socket or wrench, taking off two 10-32 lock nuts (Figure 7). The hinge will remain in place on the door with a second set of nuts located under the safety plate. With the safety plate removed *and the door supported by another person*, disengage the hinge by pulling down on the hinge receptacle. Use care not to tilt the door excessively with the bottom pin engaged.

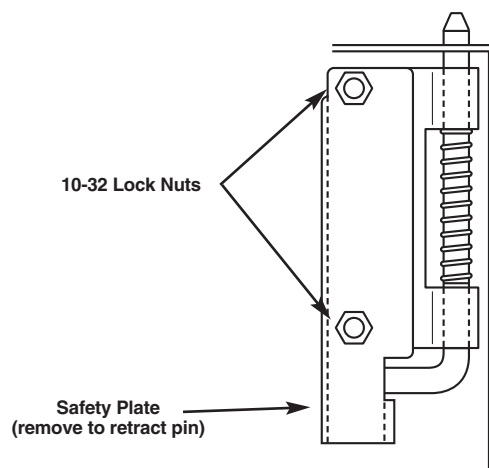


Figure 7. Remove the lock nuts.

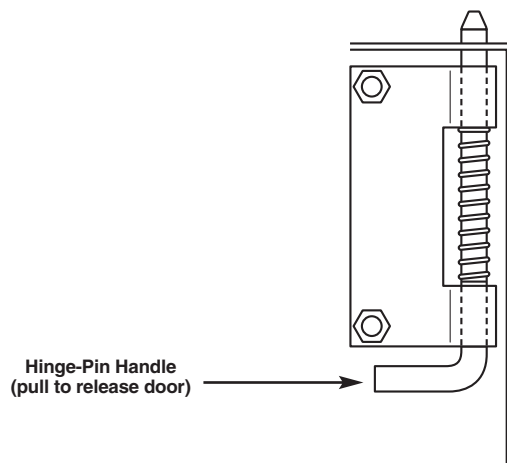


Figure 8. The hinge-pin handle.

ELITE SERVER-MOUNT DATA CABINETS

3.5.2 INSTALLING A DOOR

Pull down on the top hinge-pin handle (Figure 8, on the previous page) while inserting the bottom hinge pin into the lower hinge receptacle. Align the top hinge pin with the top hinge receptacle and release the spring-loaded pin handle. *Make sure that both pins are fully engaged into the hinge receptacles while the door is being supported by another person.* The safety bracket should now be installed using the two 10-32 lock nuts furnished.

3.5.3 REVERSING THE DOOR SWING

1. If the doors require reverse hinging, remove both doors following the instructions in **Section 3.5.1**.
2. With the door removed from the cabinet, remove the bottom hinge safety plate following the same steps used to remove the top safety plate.
3. Now reinstall the top safety plate (it will be the bottom when the door is reversed).
4. Relocate the bottom hinge spacer (Figure 9) on the front and rear door frame to the opposite side of the cabinet by removing two Phillips 6-32 flat-head screws, aligning the spacer over holes on the opposite side of the frame (countersinks facing up) and attaching with screws.

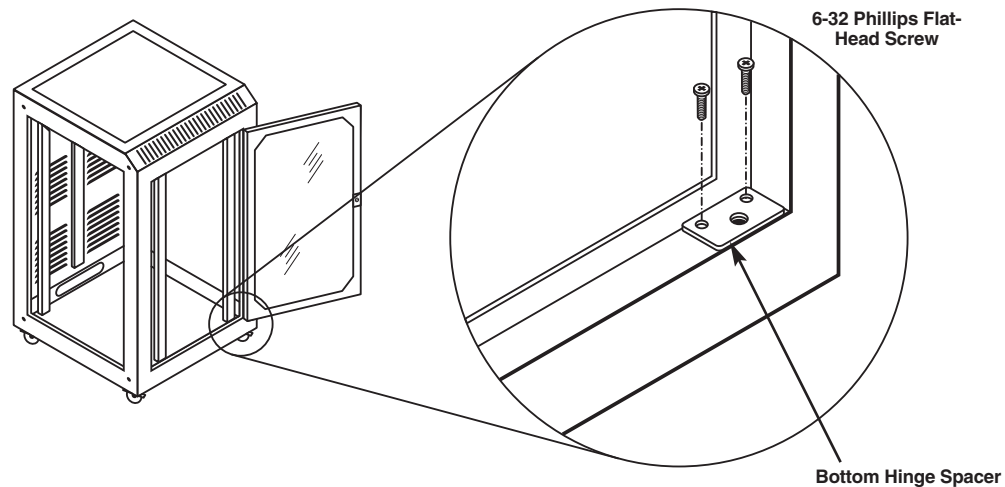


Figure 9. The bottom hinge spacer.

5. The latch catch on both door frames can now be relocated to the opposite side of the door opening by removing one Phillips 6-32 flat-head screw from the center of the catch, pulling the catch out through the frame slot, and reinstalling it on the opposite side (Figure 10, on the next page).
6. The door can now be turned upside down and mounted with the hinges on the opposite side using the instructions in the **Section 3.5.2**.

After both doors have been reversed, you may want to switch the door latch from the front door to the rear door as the latch will be upside down in the reversed position. This step is optional since the latch will function properly in either position. To switch front and rear latches, remove one slotted locking screw on the back side of each latch assembly, releasing the latch retainer (see Figure 6). The latch will now push out through the opening in the door. Insert latch into the opening of the opposite door with the latch pawl facing away from the hinge side of the door. Replace the latch retainer.

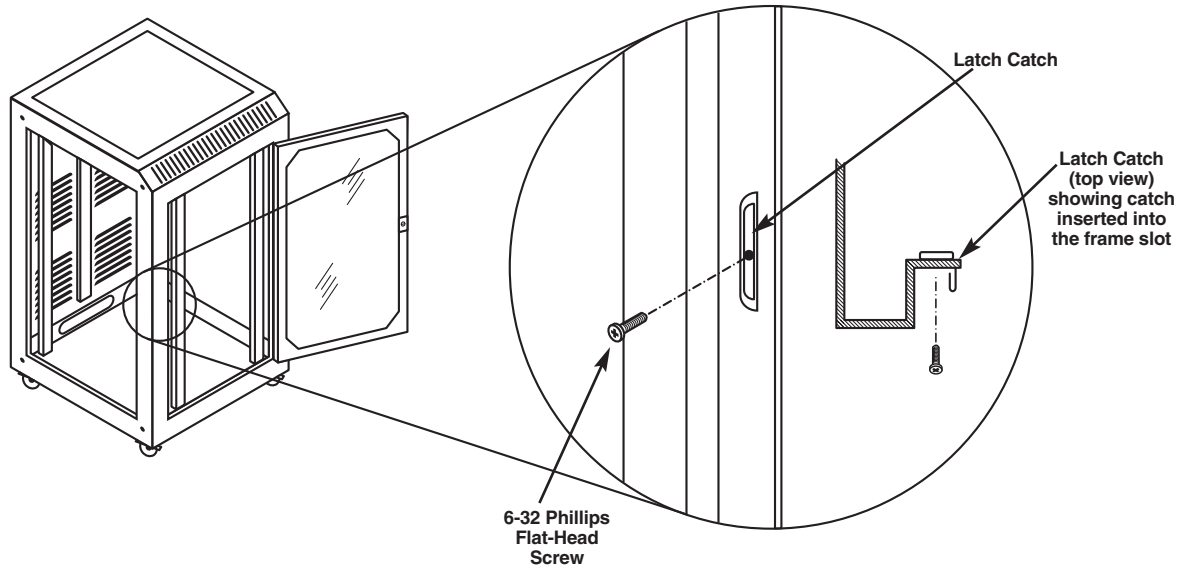


Figure 10. Relocating the latch catch.

3.6 Side Panels

3.6.1 REMOVING A SIDE PANEL

The side panels can easily be removed by unlocking the center cam lock. The panel can now be tilted out to where you can grasp it from the sides and lift it off of the bottom panel retainers.

3.6.2 INSTALLING A SIDE PANEL

Center the bottom of the panel into the frame opening, engaging the bottom panel retainers into the slots located in the bottom lip of the panel.

Push the top of the panel into the frame opening while pulling the two side latches toward the center of the panel. With the panel pushed into place, release the latches, engaging the latch brackets on the frame. The cam lock in the top center of the panel can now be locked for security.

3.7 Adjusting the Mounting Rails

Your Elite Series Data Cabinet is shipped ready to use in the 19" rackmount position.

NOTE

The same rails can be used in the 19", 23", or 24" rackmount position.

Mounting rails are provided with a standard $\frac{5}{8}$ " $\frac{5}{8}$ " $\frac{1}{2}$ " EIA hole pattern and the holes are tapped for 10-32 or M6 punch hardware (Figure 11).

For ease of panel and equipment alignment from rail to rail, arrows are stamped every 5.25" or every three 1.75" rack units on the face of each rail (Figure 11).

10-32 equipment mounting hardware is provided in the standard accessory kit that is packaged inside your cabinet.

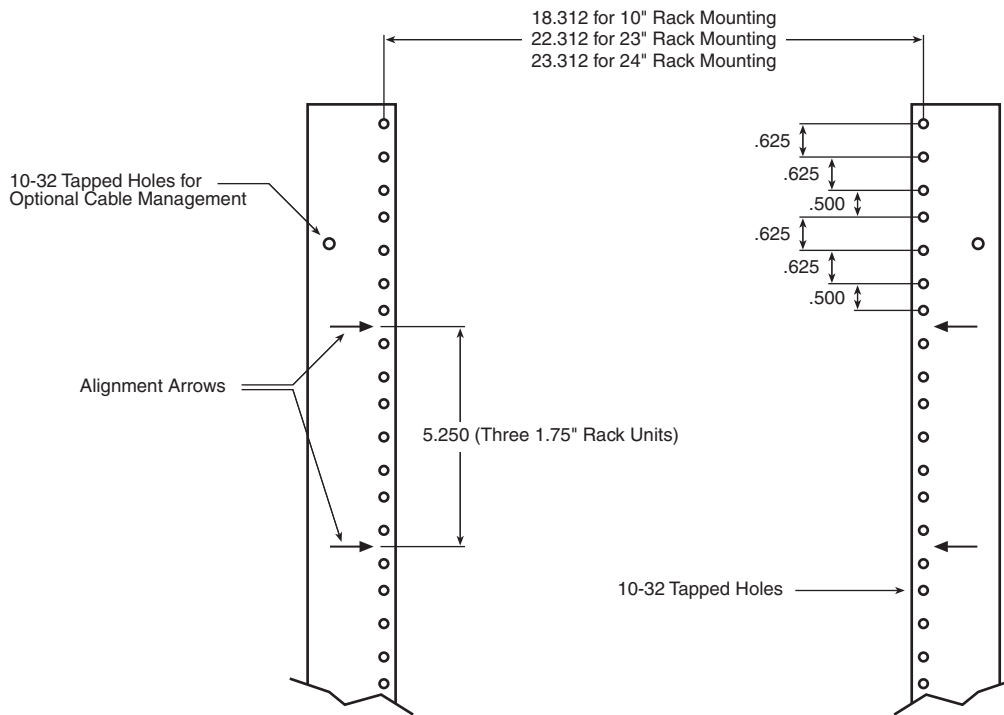


Figure 11. The mounting rails.

ELITE SERVER-MOUNT DATA CABINETS

3.7.1 ADJUSTING RAILS FRONT TO BACK

The rails can be adjusted easily from front to rear in one-inch increments by removing the two ¼-20 hex-head bolts (Figure 12) from the top and bottom support brackets and repositioning as desired.

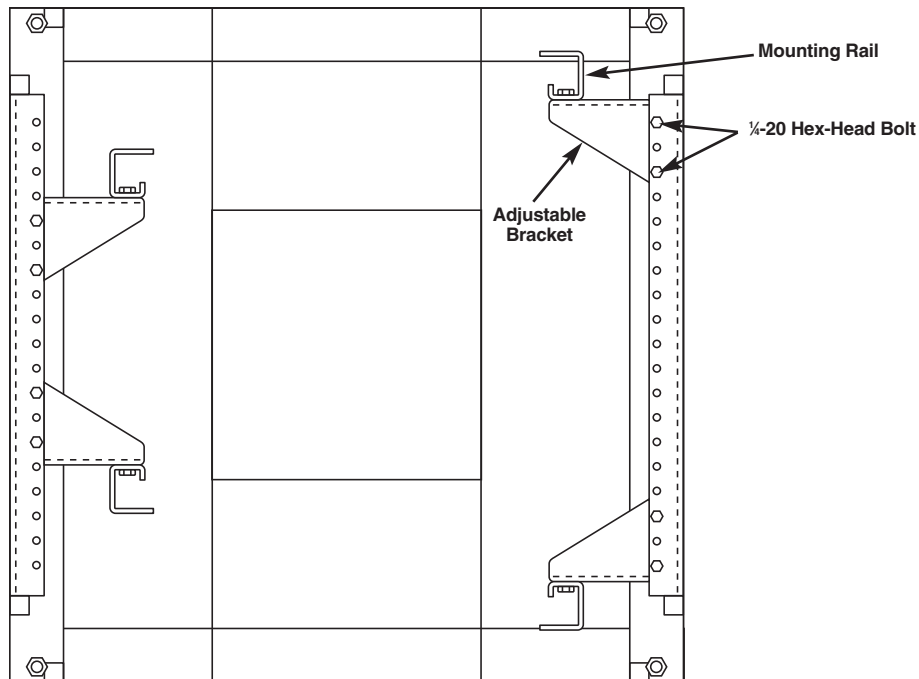


Figure 12. Adjusting the rails.

3.7.2 CABLE ACCESS

The Elite Series Data Cabinet is furnished with a variety of cable-entrance/exit ports. The top of the cabinet is removable for top cable access. The bottom cover plate is removable for bottom cable access. Two 1.75" diameter ports are located on the top rear frame member and two are located on the rear bottom frame member. These ports can be used for conduit, power cord exit, etc. The rear of the cabinet also features two large cable-access cutouts below the rear door that can be used by removing the two 6-32 pan-head locking screws that secure the cover plates. The standard accessory kit provided inside the enclosure contains 60 inches (152.4 cm) of rubber edge guard that can be applied to the metal edges on any of the cable-access ports to protect your cables.

3.8 Power Strip

A power strip is provided and mounted in the rear mounting rails. The power strips have 16 outlets and can be positioned vertically or horizontally.

The power strip is equipped with an on/off switch on the front face and a 15-amp circuit breaker located in the end cap on the same end as the switch.

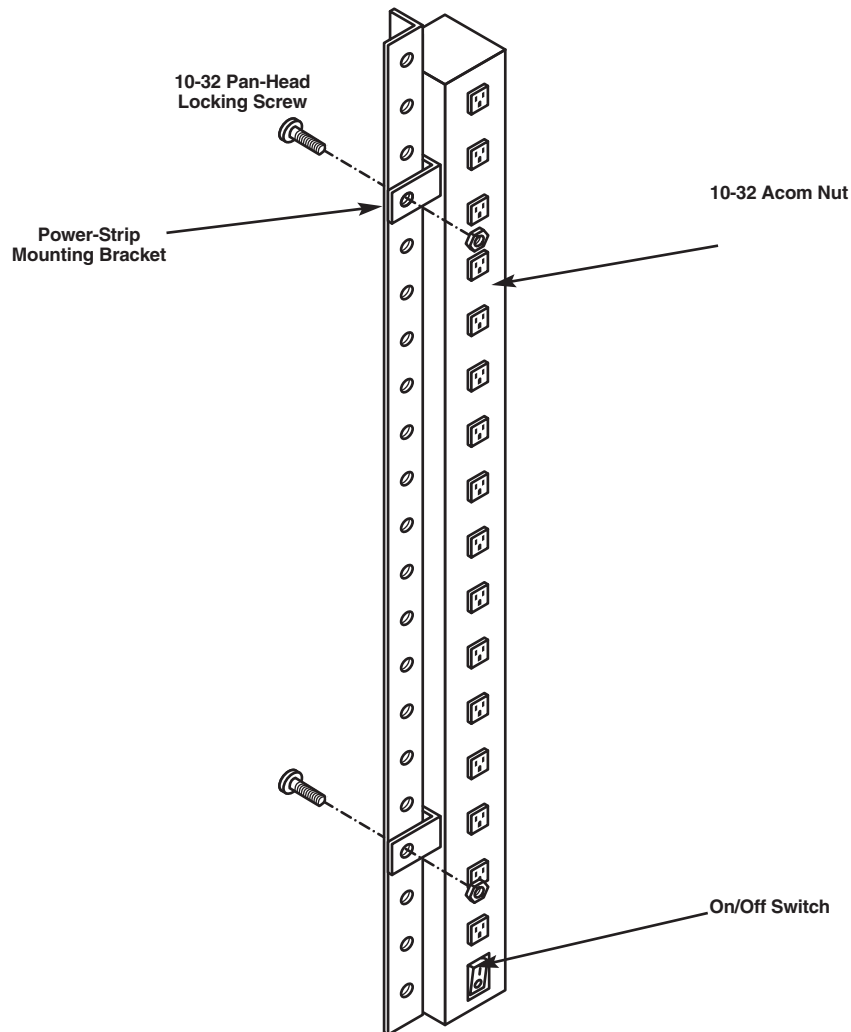


Figure 13. Installing a 16-outlet power strip.