

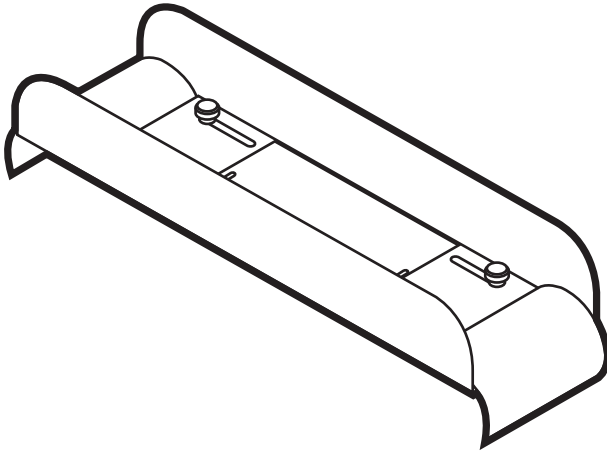


© Copyright 2009. Black Box Corporation. All rights reserved.

1000 Park Drive • Lawrence, PA 15055-1018 • 724-746-5500 • Fax 724-746-0746



Freedom Rack Waterfall Kit



**CUSTOMER
SUPPORT
INFORMATION**

Order **toll-free** in the U.S.: Call **877-877-BBOX** (outside U.S. call **724-746-5500**)
FREE technical support 24 hours a day, 7 days a week: Call **724-746-5500** or fax **724-746-0746**
Mailing address: **Black Box Corporation**, 1000 Park Drive, Lawrence, PA 15055-1018
Web site: www.blackbox.com • E-mail: info@blackbox.com

FREEDOM RACK WATERFALL KIT

TRADEMARKS USED IN THIS MANUAL

Black Box and the Double Diamond logo are registered trademarks of BB Technologies, Inc.

Elite is a trademark of BB Technologies, Inc.

Any other trademarks mentioned in this manual are acknowledged to be the property of the trademark owners.

1. Specifications

Construction: 14-gauge steel

Finish: RAL 9005 black polyester powder paint

Weight: 5.5 lb. (2.5 kg)

2. What's Included

- (1) waterfall bracket
- (2) radius brackets
- (4) thumb nuts
- (2) ¼" -20 x 0.625" Phillips-head screws
- (2) ¼" lock washers
- (2) ¼" -20 hex nuts

3. Overview

The Freedom Rack Waterfall Kit (RM888) enables you to route cable across the top of 4-post Freedom Racks.

It provides horizontal-to-vertical transition for bend radius-compliant installation of CAT5, CAT5e, CAT6, CAT6a, or fiber optic cable.

The waterfall kit is part of a complete cable management system when used with Black Box® Elite™ Vertical and Horizontal Cable Managers.

The waterfall kit is compatible with the 4-Post Freedom Rack (RM089A) from Black Box.

FREEDOM RACK WATERFALL KIT

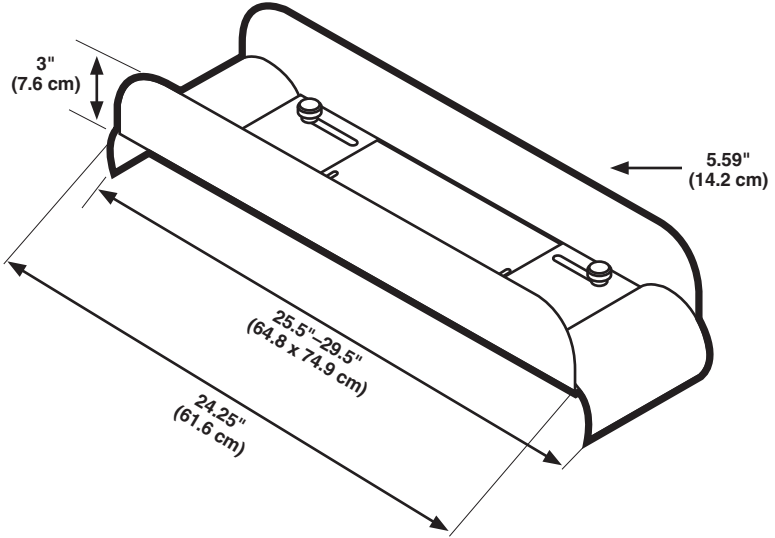


Figure 1. Waterfall kit dimensions.

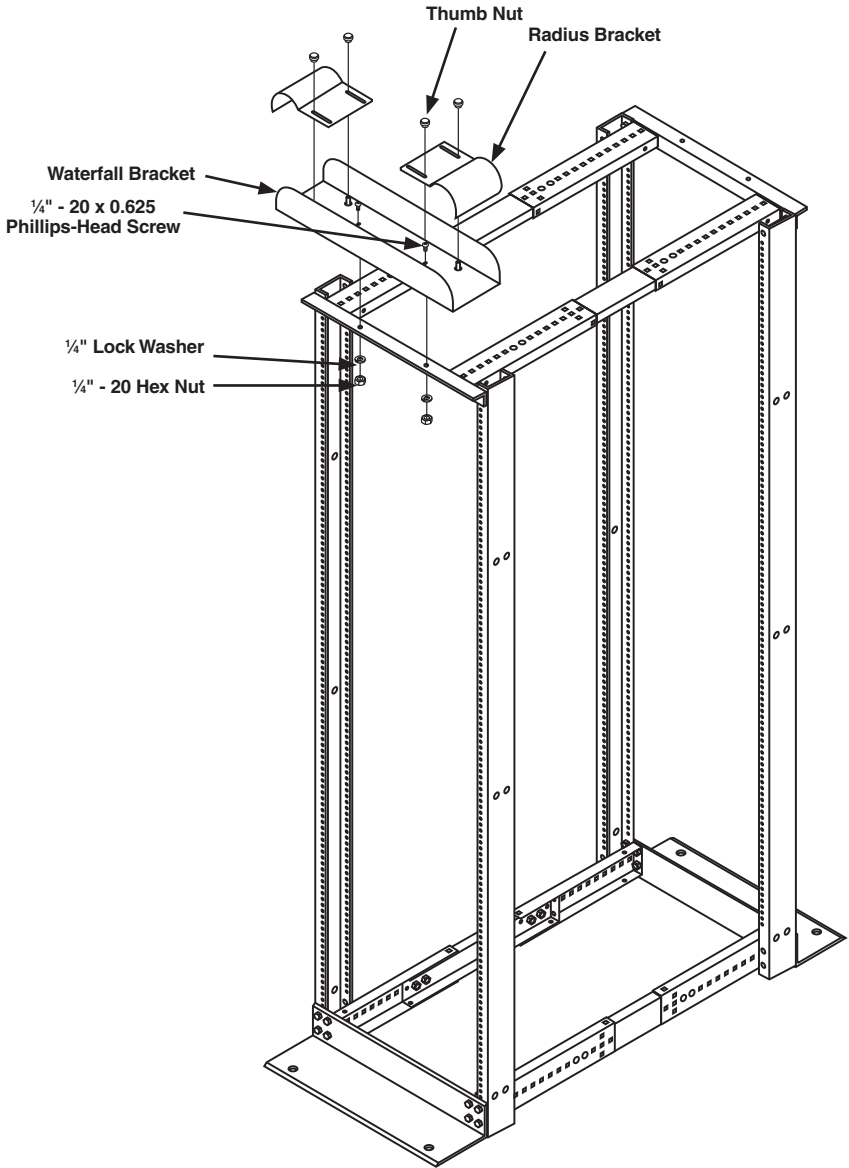


Figure 2. How to attach the waterfall kit to your Freedom Rack.