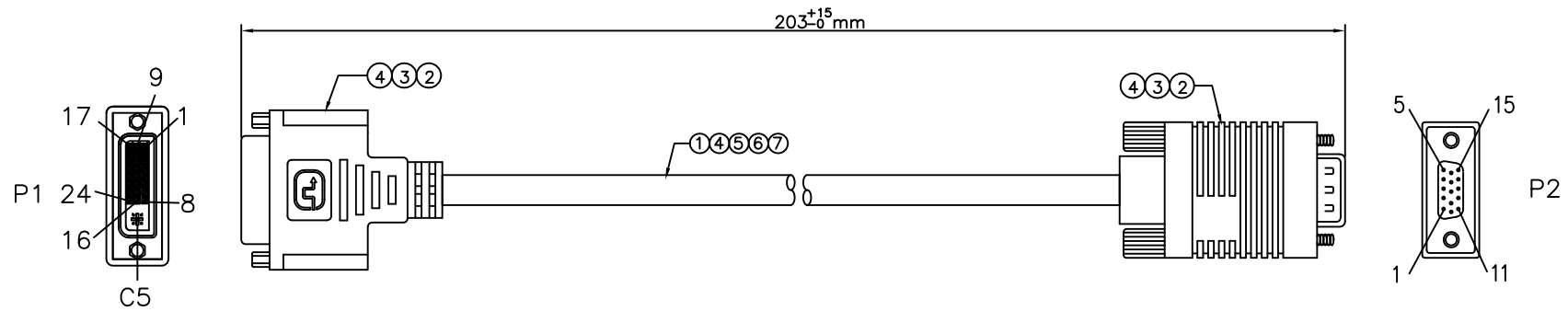


REVISIONS		
Rev	DESCRIPTION	DATE
A	INITIAL RELEASE	2016.09.20



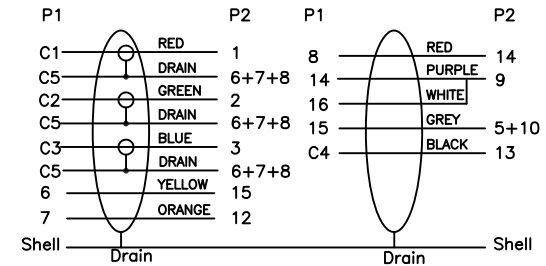
ELECTRICAL TEST :

- 1.100% OPEN & SHORT & MIS WIRE TEST
- 2.CONTACT RESISTANCE: 2 OHM(MAX)
- 3.INSULATION RESISTANCE:10M OHM(MIN)
- 4.HI-POT TEST:DC 300V/10ms
- 5.100% of image Test

PRODUCT SPECIFICATIONS :

- 1.Connector Type: VGA MALE TO DVI-I FEMALE
- 2.Connector Plating and Material:
DVI(24+5)F Shell Nickel Plated+Hexagonal Nut Nickel Plated
HDB 15P M Shell Nickel Plated
- 3.Color: Black VGA and DVI connectors and Black Cable
- 4.RoHS2: Yes
- 5.Resolution Supported: 1920x1080
- 6.Cable Specifications:
UL2919 1354(S) 28AWG*3COAX+28AWG*1P+28AWG*5C+
AEB(16/10/0.12TC) OD:8.0MM Black
- 7.Passive Adapter Supports Analog signal

PIN Assignment



The information contained in this document is the sole property of Black Box Corporation of Pennsylvania. Any reproduction in part or whole without the written permission of Black Box Corp. is prohibited.

©Copyright 2012 Black Box Corporation of Pennsylvania. d/b/a Black Box Network Services. All Rights Reserved.

UNLESS OTHERWISE SPECIFIED: DIMENSIONS ARE IN INCHES TOLERANCES: FRACTIONAL ± ANGULAR: MACH ± BEND ± TWO PLACE DECIMAL ± THREE PLACE DECIMAL ±				TITLE: VGA MALE TO DVI FEMALE ADAPTER DONGLE - 8 INCH	
INTERPRET GEOMETRIC TOLERANCING PER:	DATE: 9/20/2013			SIZE: B	DWG. NO.: VA-VGA-DVII
MATERIAL: CRS	FINISH: POWDER COAT	COMMENTS:		SCALE: 1:1	SHEET 1 OF 1
DO NOT SCALE DRAWING					