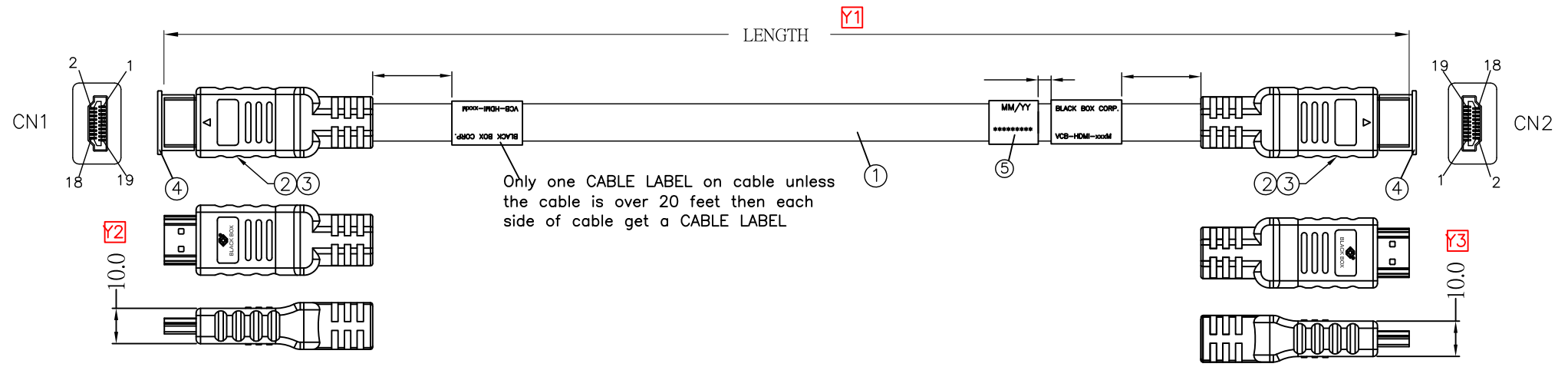


REVISIONS		
Rev	DESCRIPTION	DATE



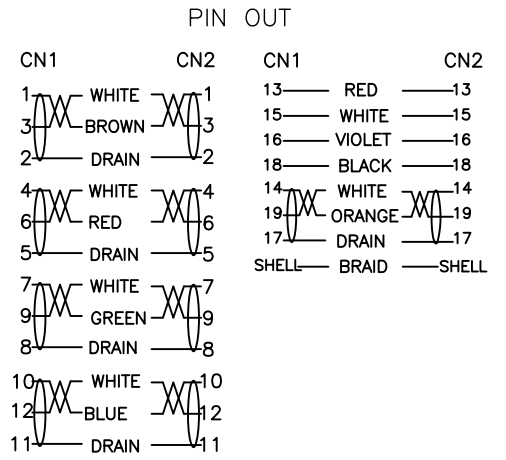
MATERIALS LIST:

- 1,CABLE:UL20379 HDMI 1.4V(7/0.2TA*1PR+EAM)*5+7/0.2TA*4C+AB 65%
OD:10.3MM COLOR:P001(BLACK) (W12112306)
- 2,CONNECTOR: 19M PIN GOLD PLATED 15u", GOLD PLATED FRONT SHELL
- 3,PVC:BLACK(V398) 45P
- 4,DUST COVER: PE
- 5,LABEL:YEAR/MONTH LABEL

ELECTRONIC TEST:

- A.OPEN/SHORT/INTERMITTENCE: 100%.
- B.HI-POT: 300V DC/sec
- C.INSULATION RESISTANCE: 20M ohm (MIN)
- D.CONDUCTIVE RESISTANCE: 0<L<10FT 2 ohm (MAX)
10FT<L<15FT 3 ohm (MAX)
15FT<L<30FT 4 ohm (MAX)
30FT<L<99FT 6 ohm (MAX)
L>100FT 10 ohm (MAX)

SSFT P/N:	BBOX P/N:	LENGTH
J00581499	VCB-HDMI-007M	7000 +150 -0 mm
J00581500	VCB-HDMI-010M	10000 +150 -0 mm
J00581501	VCB-HDMI-015M	15000 +150 -0 mm
J00581502	VCB-HDMI-020M	20000 +300 -0 mm
J00581503	VCB-HDMI-025M	25000 +300 -0 mm
J00581504	VCB-HDMI-030M	30000 +300 -0 mm



CABLE MARKING: BLACK BOX CORPORATION GUARANTEED FOR LIFE(724) 746-5500---
PREMIUM HDMI CABLE--- AWM E101344-C STYLE 20379 80°C 30V

ALL MATERIALS TO MEET RoHS

The information contained in this document is the sole property of Black Box Corporation of Pennsylvania. Any reproduction in part or whole without the written permission of Black Box Corp. is prohibited.
©Copyright 2012 Black Box Corporation of Pennsylvania d/b/a Black Box Network Services. All Rights Reserved.

UNLESS OTHERWISE SPECIFIED: DIMENSIONS ARE IN INCHES TOLERANCES: FRACTIONAL ± ANGULAR: MACH ± BEND ± TWO PLACE DECIMAL ± THREE PLACE DECIMAL ±					
INTERPRET GEOMETRIC TOLERANCING PER:	NAME	DATE	TITLE:		
MATERIAL	LIAN	4/29/2013	VCB-HDMI-xxxM		
FINISH	ENG APPR.	Wayne	CHECKED	Lucency	4/29/2013
DO NOT SCALE DRAWING	COMMENTS:		SIZE	DWG. NO.	REV
	HDMI 1.4 24AWG(7M-30M)		B		B
			SCALE: 1:1	SHEET 1 OF 1	