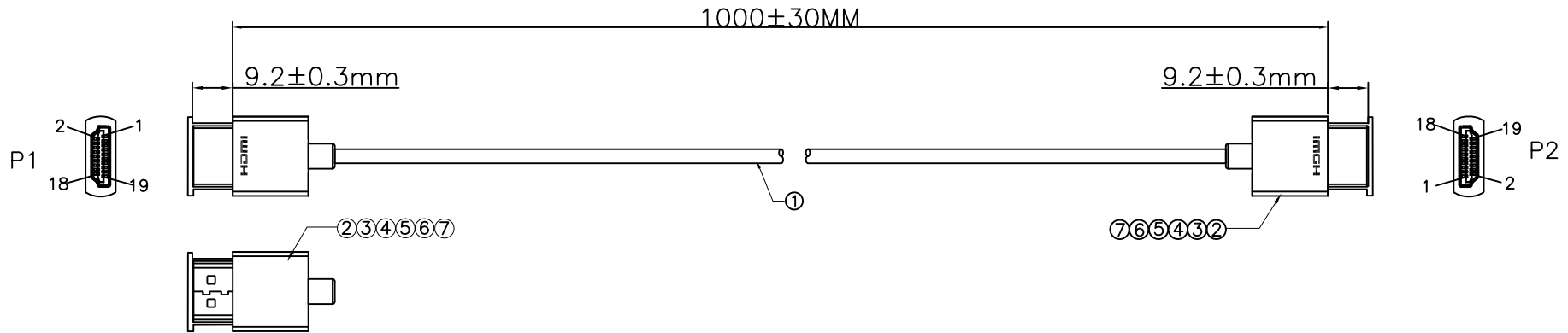


REVISIONS		
Rev	DESCRIPTION	DATE
A	INITIAL RELEASE	11/17/2017



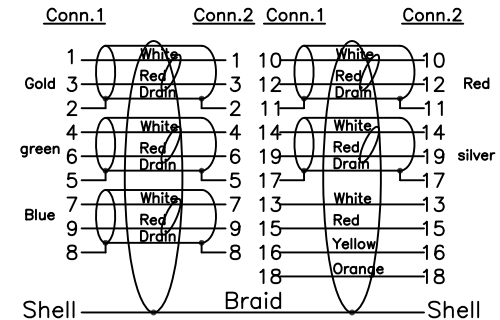
**ELECTRICAL TEST :**

- 1.100% OPEN & SHORT & MIS WIRE TEST
- 2.CONTACT RESISTANCE: 3 OHM(MAX)
- 3.INSULATION RESISTANCE:10M OHM(MIN)
- 4.HI-POT TEST:DC 300V/10ms

**PRODUCT SPECIFICATIONS :**

- 1.Connector Type: HDMI A MALE TO HDMI A MALE
- 2.Connector Plating and Material:  
HDMI A MALE Black Insulation ,Gold Plated Terminal ,Gold Plated Shell.
- 3.Color: Black connectors and Black PVC
- 4.RoHS 2.0: Yes
- 5.Products Support the resolution: 4K\*2K 60Hz
- 6.Cable Specifications:  
HDMI1.4~UL20276~[34AWG(7/0.06TC)+EAM]\*5P+36AWG(7/0.05TC)\*4C+AB(16/9/0.06TC 80%TC)OD:3.6 MM~Black~  
Marking:HIGH SPEED HDMI CABLE WITH ETHERNET E342987 AWM STYLE 20276 80 30V VW-1
- 7.Passive Cable Supports TMDS

**PIN Assignment**



The information contained in this document is the sole property of Black Box Corporation of Pennsylvania. Any reproduction in part or whole without the written permission of Black Box Corp. is prohibited.

©Copyright 2012 Black Box Corporation of Pennsylvania d/b/a Black Box Network Services. All Rights Reserved.

UNLESS OTHERWISE SPECIFIED: DIMENSIONS ARE IN INCHES TOLERANCES: FRACTIONAL ± ANGULAR: MACH ± BEND ± TWO PLACE DECIMAL ± THREE PLACE DECIMAL ±				TITLE: HDMI A MALE TO HDMI A MALE CABLE L=1M Black	
INTERPRET GEOMETRIC TOLERANCING PER:				SIZE DWG. NO. B VCS-HDMI-001M	REV A
MATERIAL CRS		COMMENTS:		SCALE: 1:1	
FINISH POWDER COAT		DO NOT SCALE DRAWING		SHEET 1 OF 2	